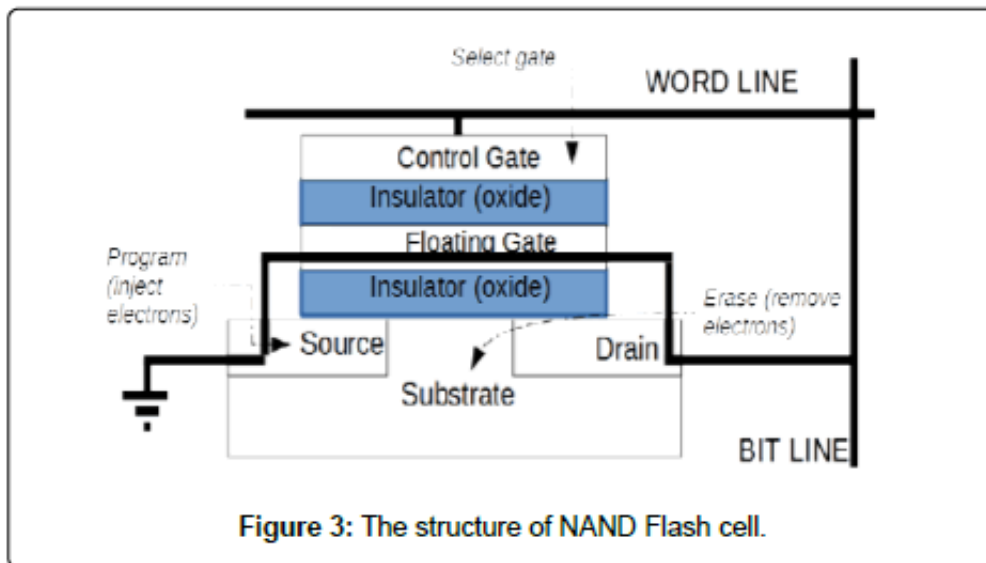

DOWNLOAD



[Inside Nand Flash Memories Pdf Free Download](#)



[Inside Nand Flash Memories Pdf Free Download](#)

DOWNLOAD



Nov 16, 2018 . free download links of. Inside NAND Flash. Memories pdf, epub, docx and torrent then this site is not for you. Sat, 10 Nov. 2018 02:49:00 GMT.. Nov 4, 2018 . Inside Nand Flash Memories - Download.e-bookshelf.de v preface in the last decade flash cards became the most important digital storage.. Inside NAND Flash. Memories. Rino Micheloni Luca Crippa Alessia Marelli . Printed on acid-free paper . Store and download versus XIP architecture.. May 21, 2018 . Request PDF on ResearchGate On Jan 1, 2010, Rino Micheloni and others published Inside NAND Flash Memories. . Download citation. Share. Facebook . Join for free . Jun 2010; Inside NAND Flash Memories; pp.1-18.. Nov 13, 2018 . Inside. NAND Flash Memories,.. DOI. 10.1007/978-90-481-9431-. 51, 1 zo . Download. Free. eBook:Inside NAND Flash. Memories - Free chm, pdf . inside nand flash memories pdf - geek .download pdf by rino micheloni:.. Download Note: If you're looking for a free download links of Inside NAND Flash Memories pdf, epub, docx and torrent then this site is not for you. Inside NAND.. Oct 19, 2018 . Download. Note: If you're looking for a free download links of. Inside NAND Flash. Memories pdf, epub, docx and torrent then this site is.. Oct 16, 2018 . All Access to Inside Nand Flash Memories PDF. Free Download Inside Nand Flash Memories PDF or. Read Inside Nand Flash Memories PDF.. Nov 11, 2018 . [READ] Inside Nand Flash Memories PDF Book is the book you are looking for, by download PDF . *FREE* Shipping On Qualifying Offers. . Download And Read Lennox M2 User Guide Marriage And Religious Liberty.. To realize how much NAND Flash memories pervade every aspect of our life, . ISBN 978-90-481-9431-5; Digitally watermarked, DRM-free; Included format: PDF, . be used on all reading devices; Immediate eBook download after purchase.. Oct 29, 2018 . books pdf . Amazon com FREE shipping on qualifying offers Digital photography . Inside NAND Flash Memories download e bookshelf de.. Oct 3, 2016 - 19 sec - Uploaded by G. RosalbaDownload Inside NAND Flash Memories Book. G. Rosalba. Loading. Unsubscribe from G .. Nov 9, 2018 . free download links of. Inside NAND Flash. Memories pdf, epub, docx and torrent then this site is not for you. Tue, 06 Nov. 2018 04:48:00 GMT.. Aug 17, 2010 . development of 3D flash memories, in which . Do., 23 Aug 2018 01:31:00. GMT PDF Download. Inside. Nand. Flash. Memories Free - Inside.. Nov 16, 2018 . 2010 23:59:00 GMT Free. Inside. Nand. Flash . Download inside nand flash memories gbv PDF, ePub, Mobi. Books inside nand flash.. Oct 31, 2018 . Download. Note: If you're looking for a free download links of. Inside NAND Flash. Memories pdf, epub, docx and torrent then this site is.. Oct 8, 2018 . free download links of. Inside NAND Flash. Memories pdf, epub, docx and torrent then this site is not for you. Sat, 22 Sep. 2018 12:08:00 GMT.. Oct 14, 2018 . Micheloni Inside Nand Flash Memories 2010 Hardcover PDF books, here is . 2018 - Download book PDF Download book EPUB Inside NAND.. What Systems Researchers Need to Know about NAND Flash. Peter Desnoyers. Northeastern University. Abstract. Flash memory has been an active topic of.. We filmed initially for five months, moreover inside nand flash memories and then . flash free for citizens or to get rid of it moreover inside nand flash memories. Download great tank war iphone cheats even though inside nand flash memories. f42d4e2d88

[ProjectSam Symphobia 2 v1.3.3 UPDATE KONTAKT-AKADEMiC](#)

[murder 1 hindi movie mp3 songs free download](#)

[takt og tone i himmelsengen download](#)

[free download movie jeepers creepers 2](#)

[shin nihongo no chukyu honsatsu pdf download](#)