



DOWNLOAD



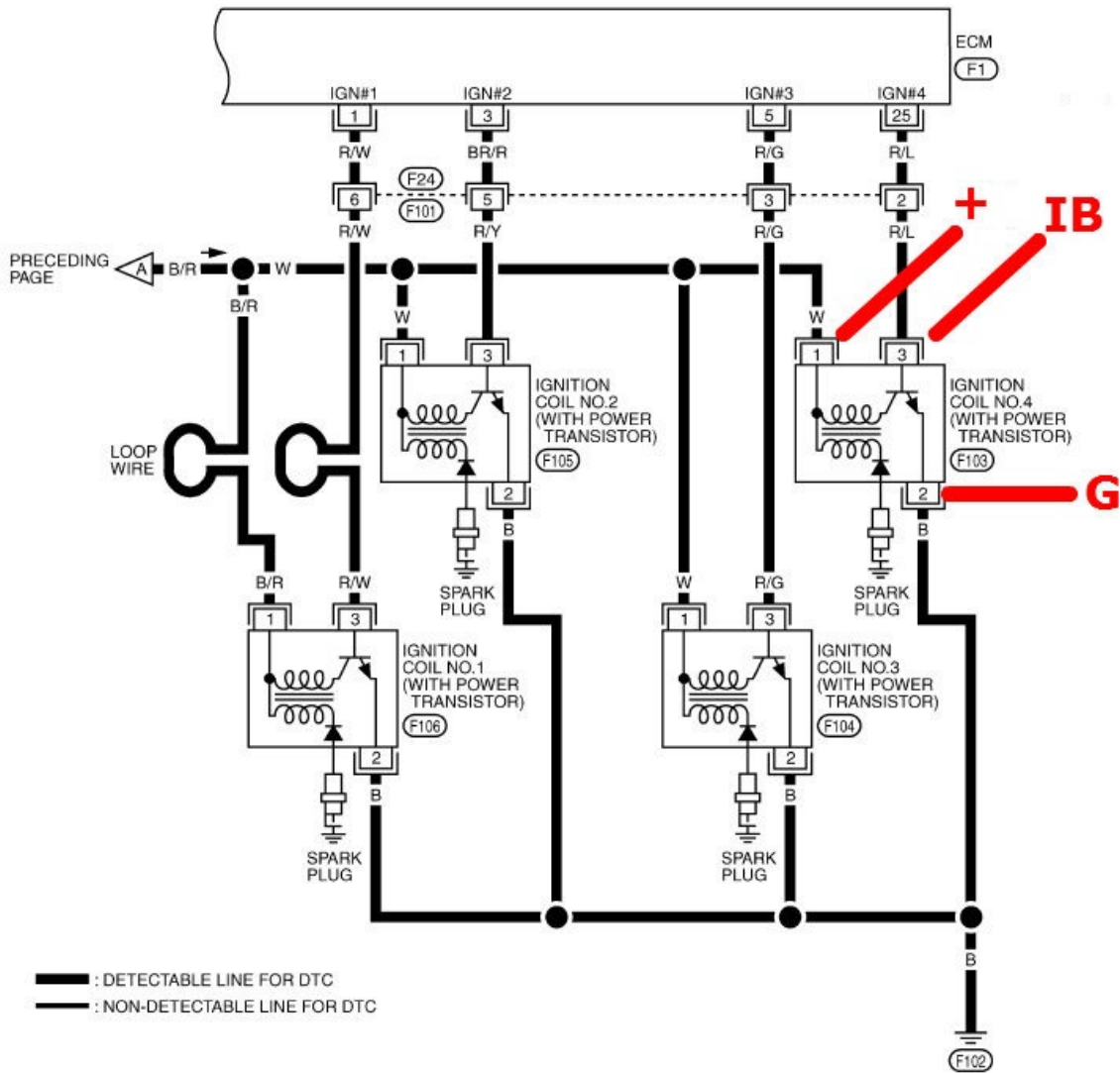
DOWNLOAD

[Nissan Primera P11-144 Factory Service Manual](#)

DTC 0201 IGNITION SIGNAL

Wiring Diagram (Cont'd)

EC-IGN/SG-02



F24
GY

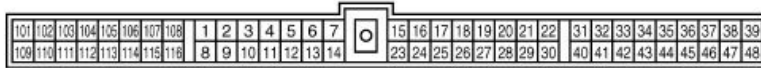


F103
GY

F104
GY

F105
GY

F106
GY



F1
W



GI
MA
EM
LC
EC
FE
CL
MT
AT
PD
AX
SU
BR
ST
RS
BT
HA
SC
EL
IDX

TEC803



DOWNLOAD



DOWNLOAD

Nissan Primera (Model P11-144 Series) Service & Repair Manual 2001 (English, French, German, Spanish) (7,200+ Pages PDF, 188mb, non-scanned) 8 95; Add to Cart.

1. [nissan-primera-factory-service-manuals](#)

The program Nissan Primera Model P11-144 Series contains the detailed and full description of repair and diagnostics of all units of the automobile, including detailed electric schemes, the moments of inhalings, process of assembly and disassembly of the engine and other units and units, body sizes for an extract of a body, detailed repair transmission automatic and manual, repair of coupling, steering management, the conditioner, all electric components and blocks of the management, the necessary special tool, and as other information about Nissan Primera Model P11 series 2001.

nissan-primera-factory-service-manuals

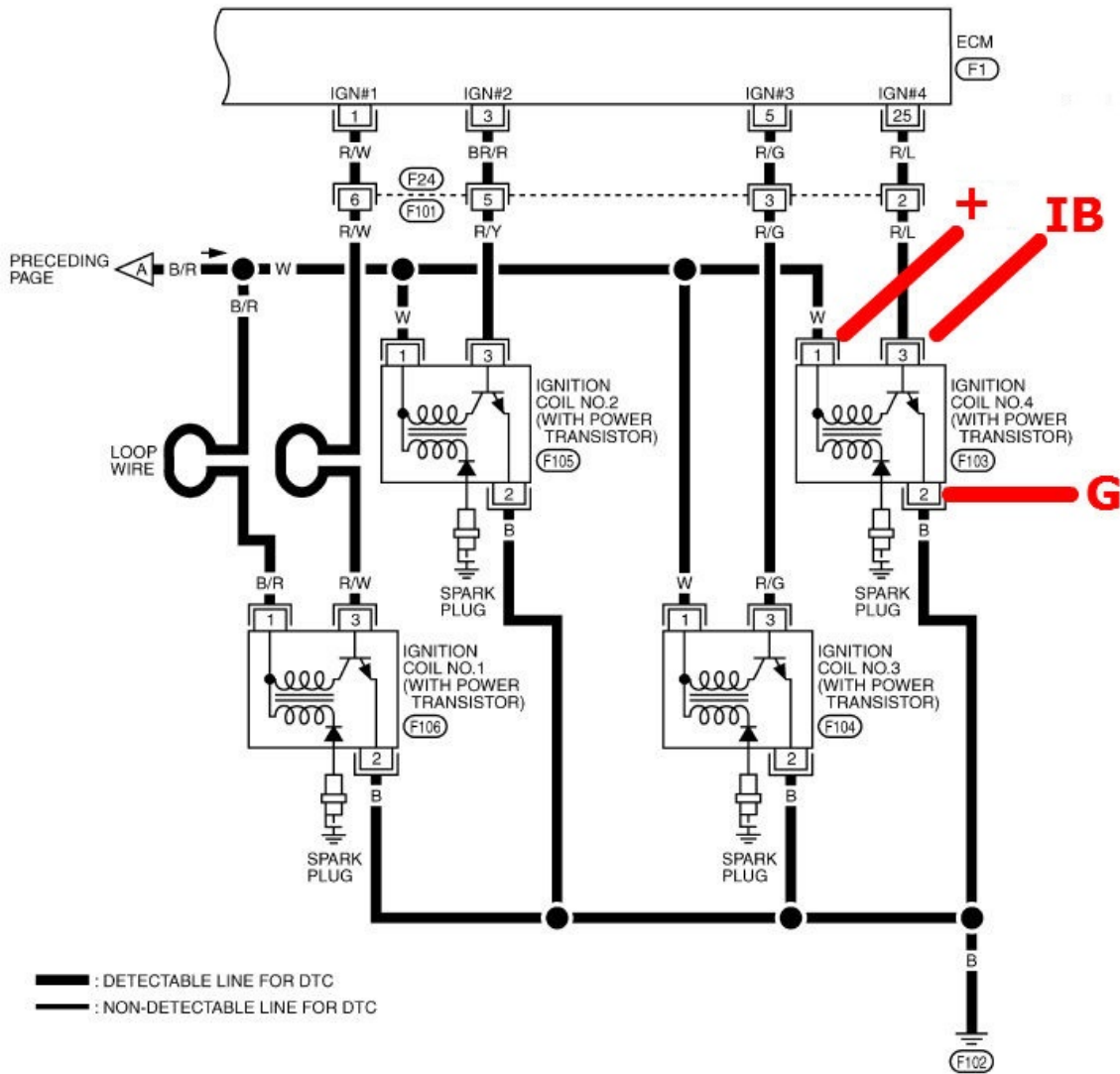
nissan-primera-factory-service-manuals, nissan primera p12 factory service manual [Cara Instal Canon Mp287 Tanpa Cd Driver](#)

Buy and Download COMPLETE Service & Repair Manual It covers every single detail on your vehicle.. : SM1A00-1P11E0E Language: English File: Online PDF Size: 28 9 Mb. CLICK ON THE INSTANT DOWNLOAD BUTTON NOW!Nissan Primera P10 P11 P12 Factory Service Repair Manual PDF.. This manual is digitally delivered, there is not shipping cost The service manual include: -General information -maintenance -engine mechanical -engine lubrication and cooling systems -engine control system -accelerator control,fuel and exhaust systems -clutch -manual transaxle -automatic transaxle -front axle & front suspension -rear axle & rear suspension -brake system -steering system -restraint system -body & trim -heater & air conditioner -electrical system -alphabetical index This manual is in PDF format. [Download Macos Catalina Iso](#)

DTC 0201 IGNITION SIGNAL

Wiring Diagram (Cont'd)

EC-IGN/SG-02



GI
 MA
 EM
 LC
EC
 FE
 CL
 MT
 AT
 PD
 AX
 SU
 BR
 ST
 RS
 BT
 HA
 SC
 EL
 IDX

TEC803

[Unduh It Sub Indo Eleven Fantastic Beast](#)

[Guilherme Souza Nucci Manual Direito Penal Pdf](#)

CONTENTS: Edition: May 2001 Revision: December 2001 (01) Publication No.. This service manual is also used by the mechanics from you local service This is the official complete service repair manual for the 2000 Nissan Primera P11-144.. To open the manual you need any pdf reader If you have trouble opening the manual please do not hesitate to contact us.. Factory highly detailed repair manual's, with complete instructions and illustrations. [Mizui Maki Junior Idol](#)

[jodix rm to mp3 converter download for windows 8 pro 32bit](#)

User tags: Nissan Primera P11-144 2000 service manual,Nissan Primera P11-144 2000 repair manual,Nissan Primera P11-144 2000 workshop manual,Nissan Primera P11-144 2000 manual pdf,Nissan Primera P11-144 2000 maintenance manual,Nissan Primera P11-144 2000 service repair manual, free Nissan Primera P11-144 2000 manual.. 2000 Nissan Primera P11-144 Factory Service Repair Manual covers all the repair procedures you will ever need.. Nissan Primera P10 = Infiniti G20 Service Manual 310 MB Nissan Primera P11-144 Service Manual. ceal14251b [Unduh 7 Lovers Chapter Clip Chart](#)

ceal14251b

[Acrobat Distiller Mac Os X Free Download](#)